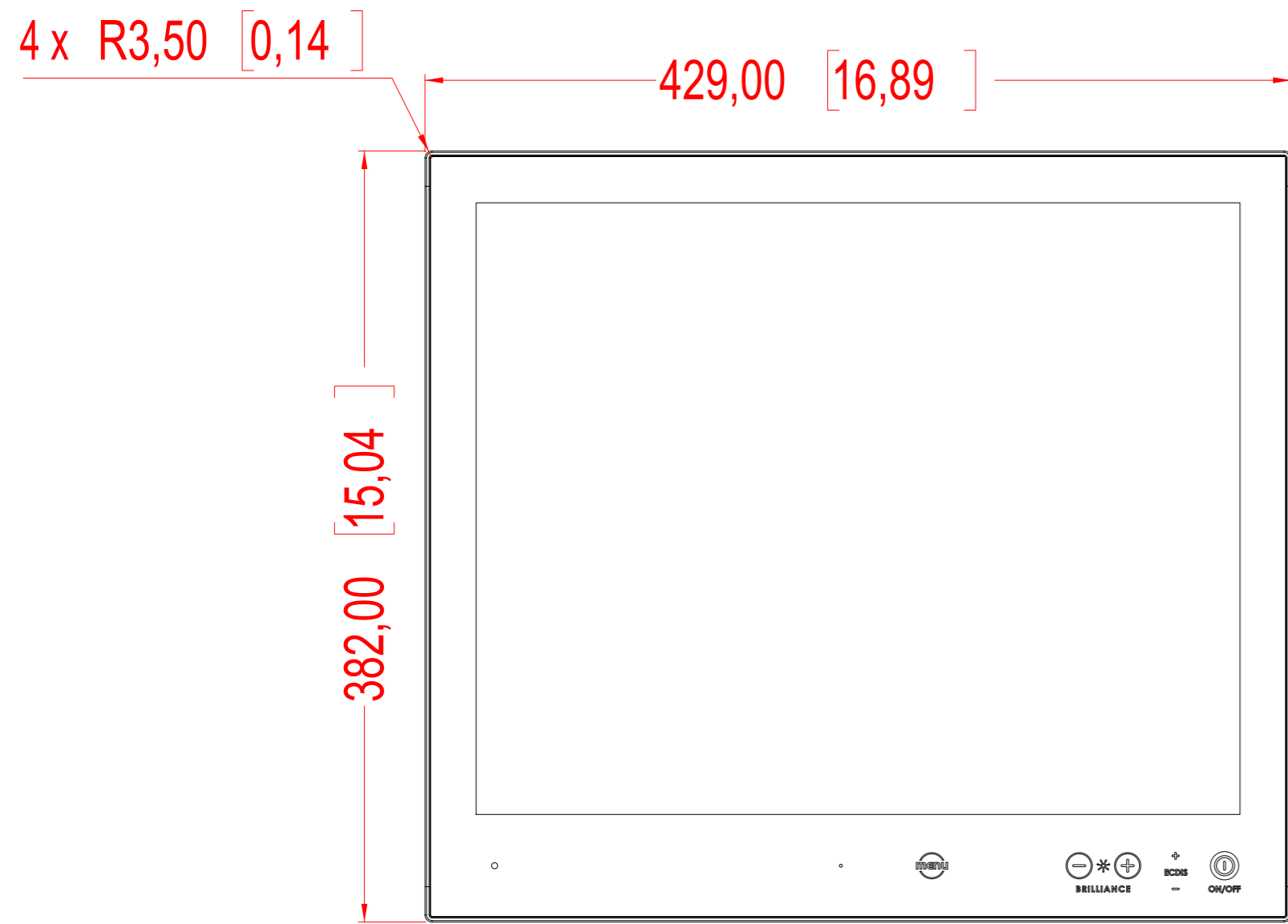
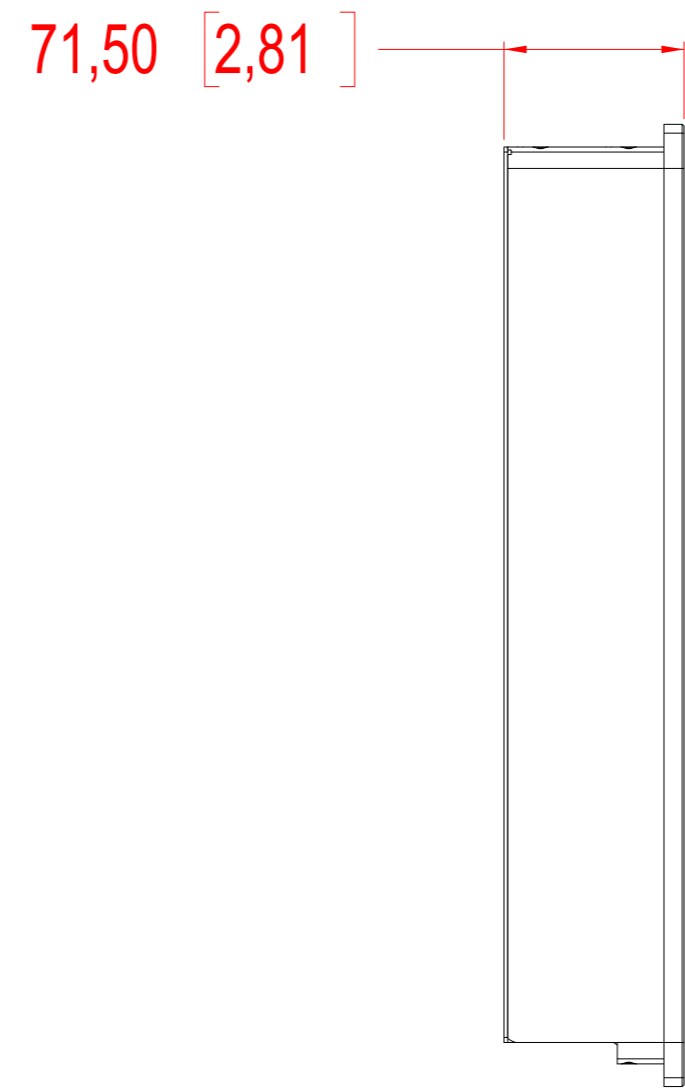


This document is the property of Hatteland Technology AS.
 The document and any authorized reproduction thereof, must not be used in
 any way against the interest of Hatteland Technology AS.
 Any authorized reproduction, in whole or in part, must include this legend.

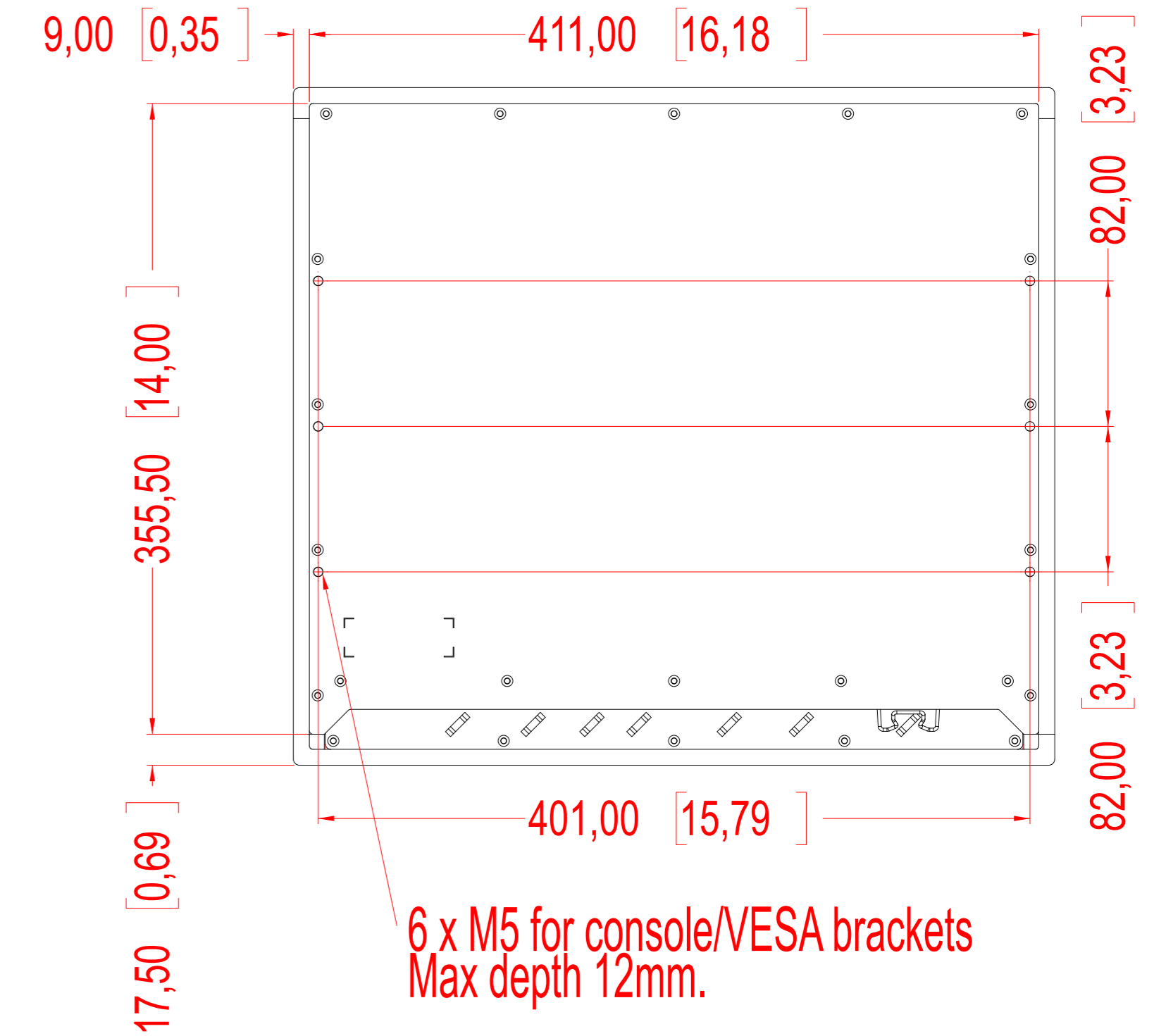
FRONT VIEW



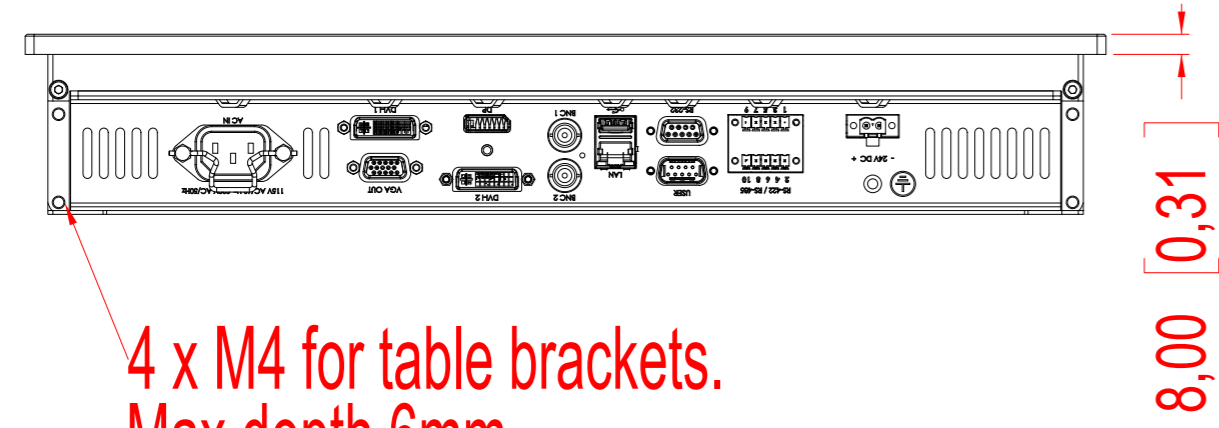
SIDE VIEW



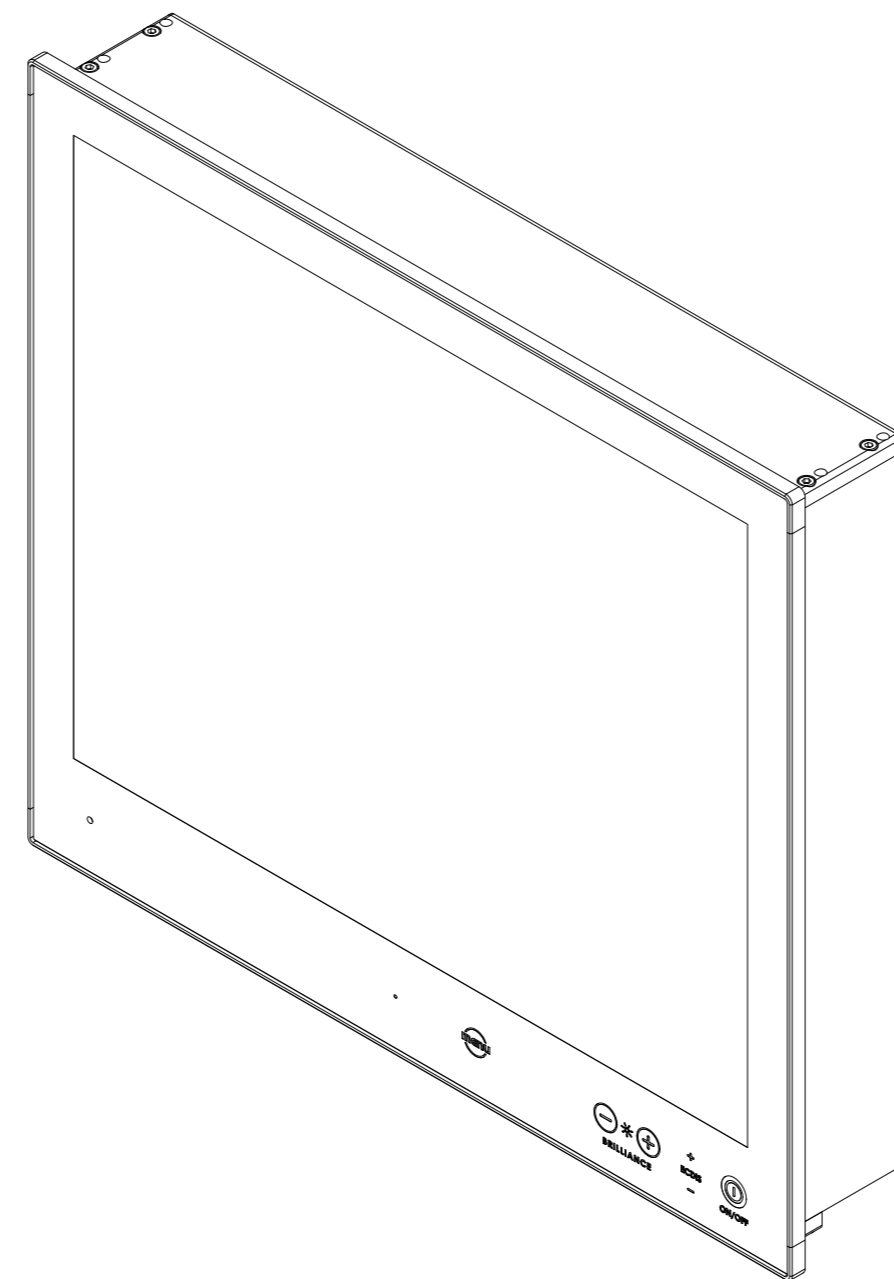
BACK VIEW



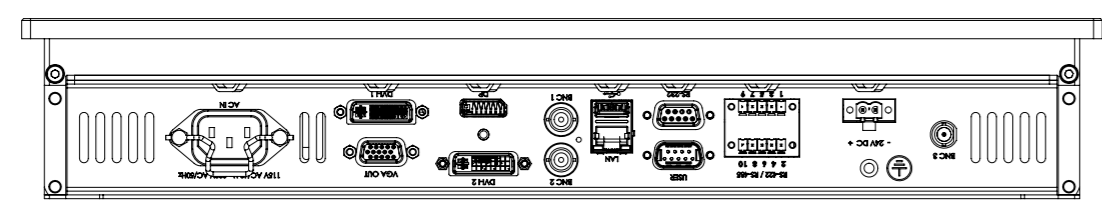
BOTTOM VIEW



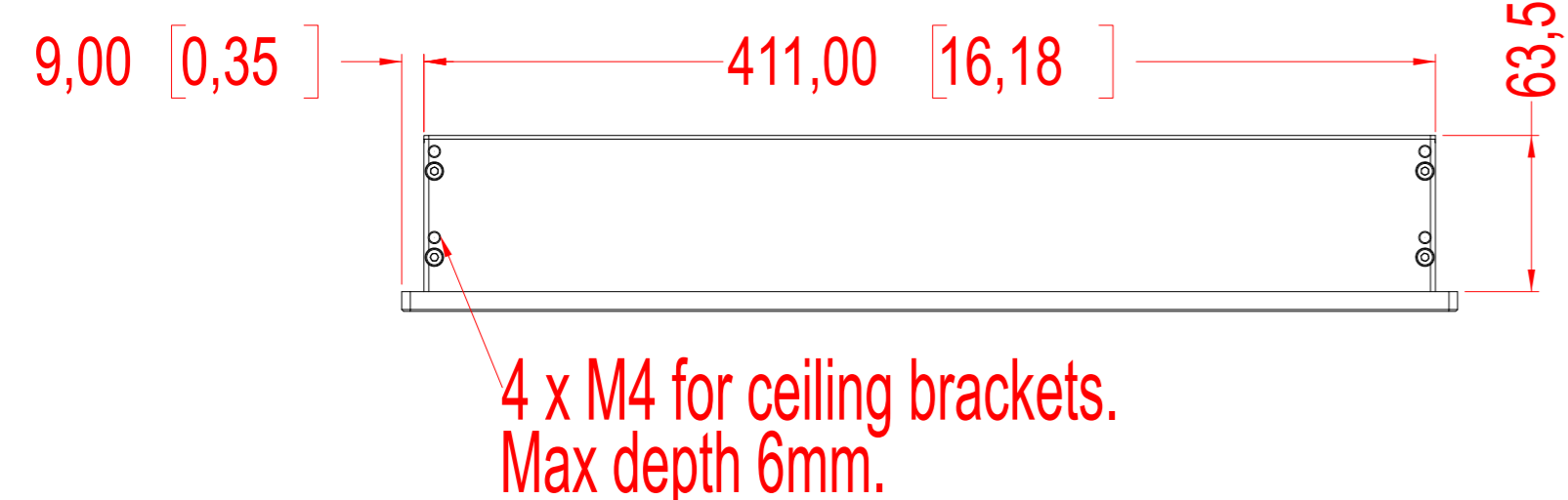
DIMETRIC VIEW



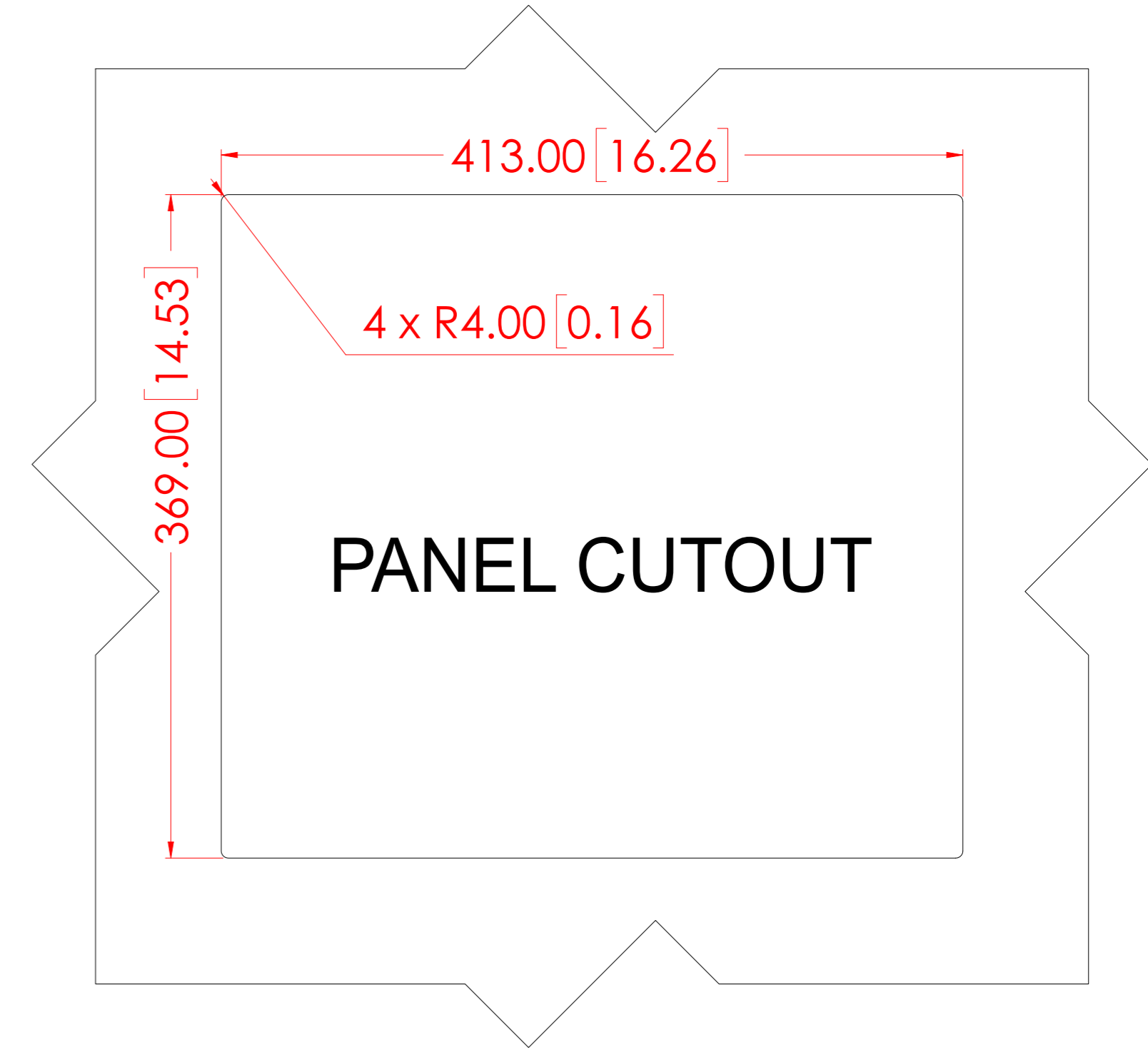
BOTTOM VIEW w/ 1 x Additional BNC



TOP VIEW



PANEL CUTOUT



Units: mm [inches]

SALES DRAWING HD 19T22 MMD-MA1-FAGA
 model shown in this drawing, but measurements generally apply for all HD 19T22 MMD-xxx-xxxx models

Date:	Mechanical Designer:	Projection:	A1	HATTELAND TECHNOLOGY an EMBRON Company
22.06.16	7258		Scale: 1:3	
Hatteland Technology AS Eikeskogvegen 52 N-5570 Aksdal			Tolerance: ISO 2768-mK	Approved by: Drawing number: A010049