

FURUNO

FISH SIZE INDICATOR

Model

FCV-2100



Photo: 19" Marine Display MU-190HD
(Customer Supply)



By combining Split Beam technology with FURUNO's TruEcho CHIRP™, we have simultaneously improved fish size measurement accuracy and achieved higher-resolution target images. This makes it easier to discern fish outlines in order to detect fish size in densely packed shoals within the mid-surface layer zone, or to discriminate single fish near the seabed.

FISH DISTRIBUTION

The fish distribution display shows the targeted fish's position and movement. Fish echoes from the latest three scans are displayed, color of circle indicates strength of individual fish echo, which helps to track schools.



Vertical target graph

Horizontal target graph

Photo: 19" Marine Display MU-190HD
(Customer Supply)

FISH SIZE INDICATOR

Model

FCV-2100

Experience a higher level of accuracy and clearer target images to make the most of your time fishing!

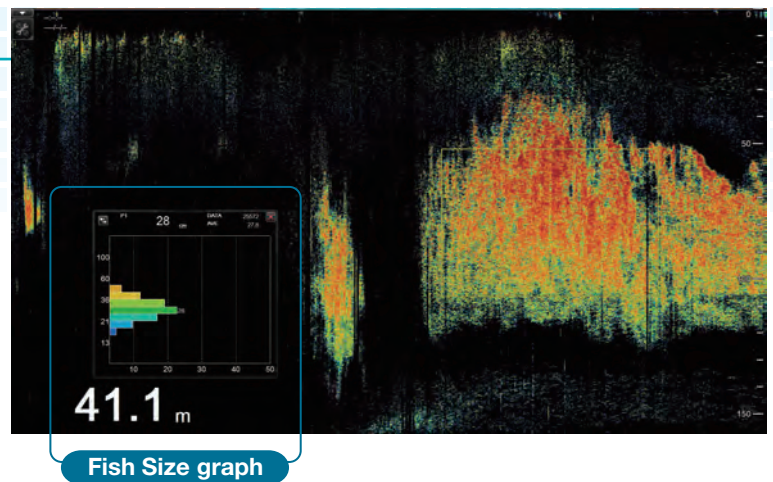
- Combining Split Beam and TruEcho CHIRP™ -



Display remarkably accurate fish size measurements in easy-to-understand graph form*

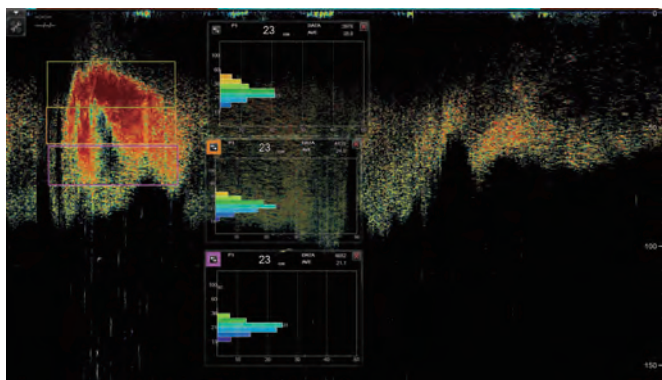
The FCV-2100 measures the size and distribution of fish in the selected school, and displays this information in a graph that can be understood at a glance. TruEcho CHIRP™ technology has improved the accuracy and reliability of fish size measurements and graphs.

* Fish length is a reference value calculated from reflection intensity.

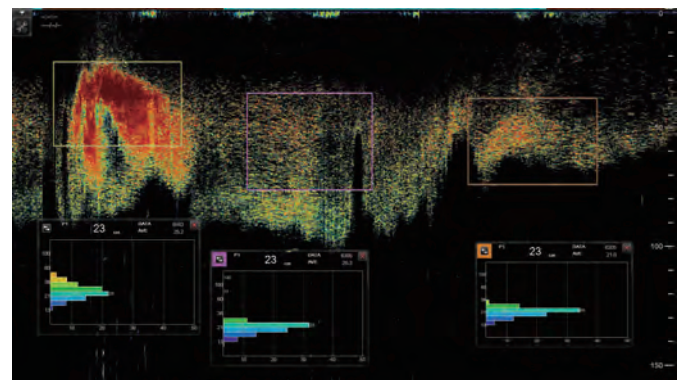


Simultaneously displays fish size measurements in three locations

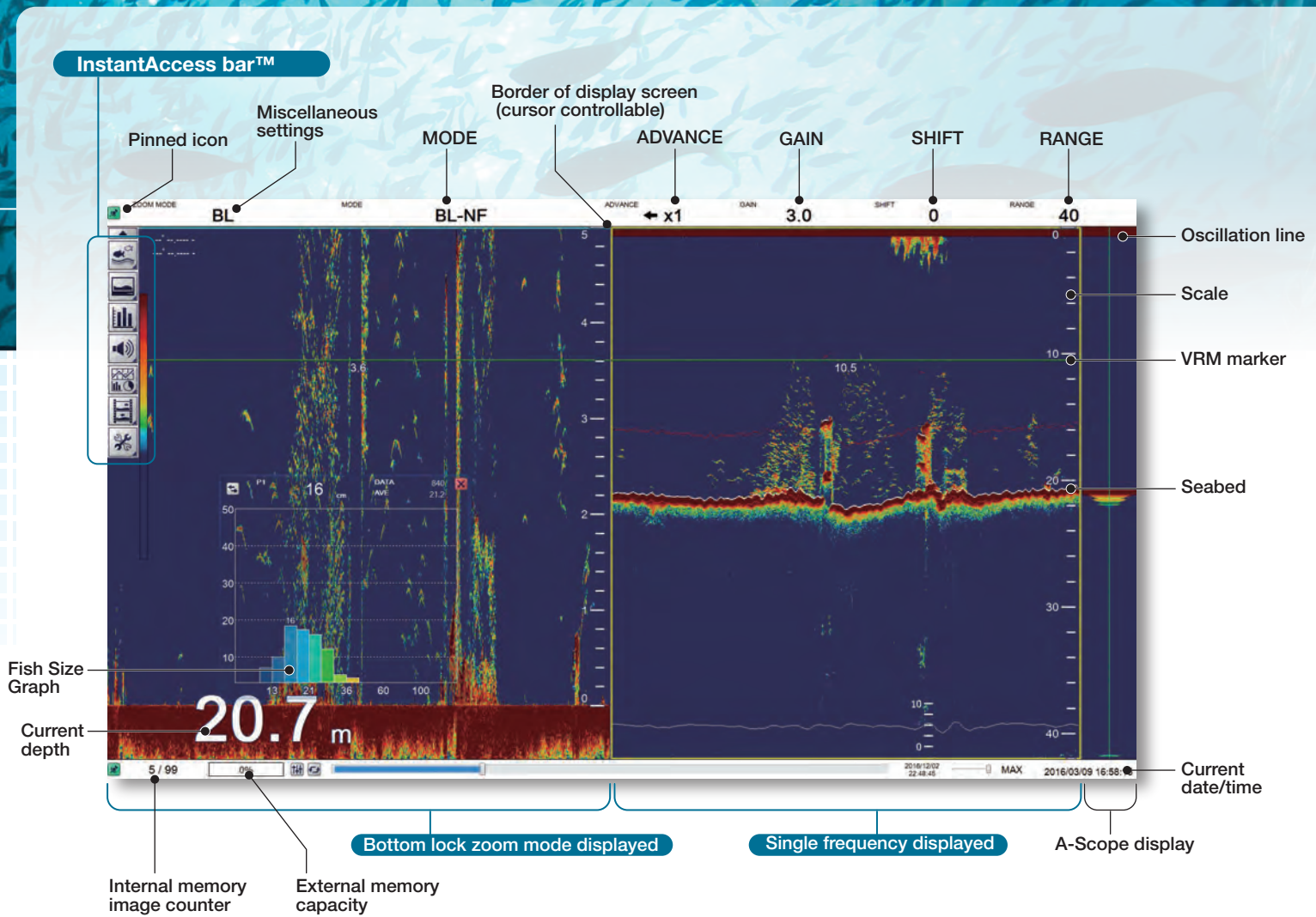
The FCV-2100 can measure and display fish sizes in three locations at the same time. This allows you to compare and analyze fish size and school composition, which makes for more efficient fishing, such as aiming for fish of a particular size.



Example of fish size graphs showing sardines at different school densities



Example of fish size graphs of sardines over time



Simple operation with trackball and InstantAccess bar™

The FCV-2100 can be operated easily and quickly with its trackball. The screen header also contains Range, Shift, Sensitivity, Image Feed, and Display Mode menus that can be immediately accessed when required. Other functions can also be accessed immediately by setting them in the InstantAccess bar™ as desired*.

* Up to 10 icons can be set in the InstantAccess bar™

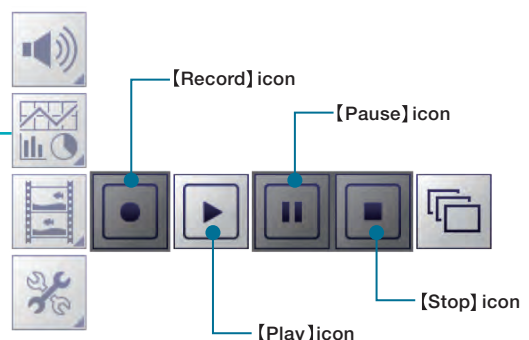


Trackball unit

Still images and echo data can be recorded and played back

A maximum of 99 still images can be saved on the processor unit. The maximum number that can be saved externally depends on the capacity of the external recording medium*. Echo data can also be saved to an external medium with a capacity of 500 GB or more*.

* Optional





■ Checking past images with the convenient scroll-back mode

By scrolling the screen back, you can review past images.

■ Makes your fishing operation more efficient

By identifying the approximate size of the targeted fish beforehand, the FCV-2100 enables selective fishing, making fishing operations more efficient.

■ Connecting external sensors provides various functional add-ons

■ Bottom discrimination function displays the seabed composition both graphically and in color.*

* Requires an externally connected network fish finder (DFF1-UHD) or designated transducer.

■ ACCU-FISH™ function gives the size of an individual fish at a glance*

* Requires an externally connected network fish finder (DFF3/DFF1-UHD) or an ACCU-FISH™ compatible transducer.

■ Can be connected to an external fish finder (DFF3/DFF1-UHD network fish finder*)

Up to three search responses at different frequencies can be displayed on one screen. The response for each type of fish can be seen at a glance, which helps to identify species.

* DFF3/DFF1-UHD network fish finders are sold separately. Only one can be connected.

■ Easy to install compact transducer

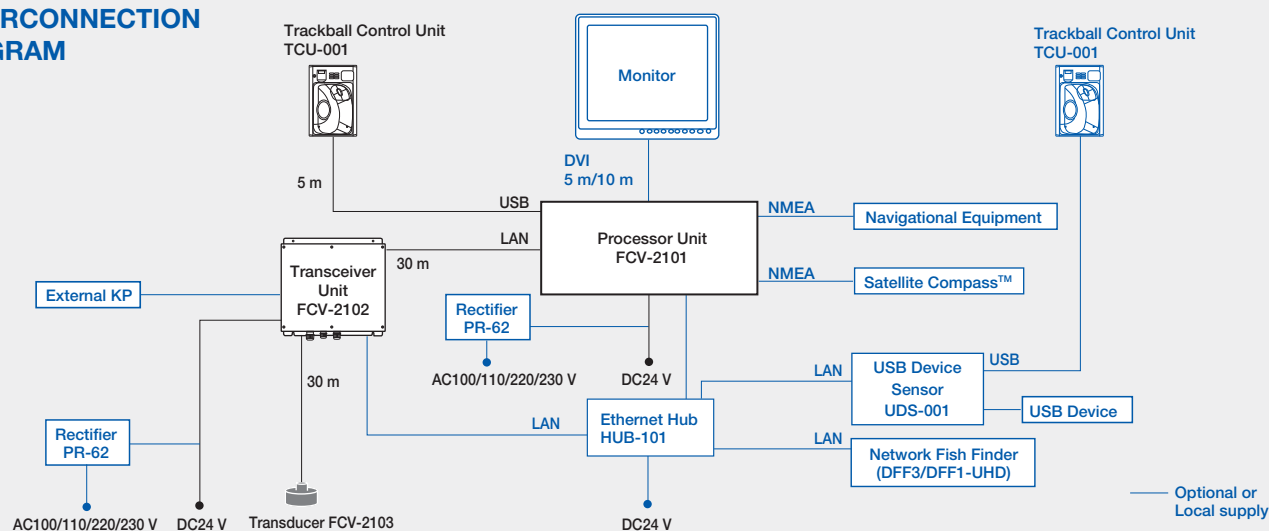
The transducer is 16 cm in diameter and easy to install in the hull.

■ Stable searching with heaving correction function*

The heaving (up and down motion of a ship) corrective function enables the shape of the seabed to be displayed stably even in rough sea.

* Requires connection of a Satellite Compass™.

INTERCONNECTION DIAGRAM



FISH SIZE INDICATOR

Model **FCV-2100**

SPECIFICATIONS

1. GENERAL

Transmitting frequency 100 kHz nominal
Output power 1 kW, FM transmission
Transmitting rate 800 pulse/min or less
Pulselength 0.04 ms

2. PROCESSOR UNIT

Color indication 64 colors (16 colors setting available)
Hue 8 steps (Standard, Hue1 to 6, customized)
Echo display mode Single mode, Zoom, External sounder display
Zoom display Bottom-lock expansion, Bottom zoom, Marker zoom, Discrimination zoom
Fish size measurement Histogram
Depth range 10 to 800 m
Range shift 800 m max.
Expansion range 5 to 200 m
Display advance speed 6 steps (Lines/TX: Freeze, 1/4, 1/2, 1/1, 2/1, 4/1)
Data recording Echo pictures and raw data can be recorded (The raw data recording requires external memory)
Language English, French, Japanese, Norwegian, Spanish

3. INTERFACE

Number of port
Main monitor 1 port
 DVI-D, XGA (1024x768), SXGA (1280x1024), Full HD (1920x1080), UXGA (1600x1200), WUXGA (1920x1200)
Sub monitor 2 ports
 DVI: 1 port, RGB: 1 port (Vertical sync: 70 Hz), XGA only
NMEA 3 ports, NMEA0183 V1.5/2.0/3.0
LAN 1 port, Ethernet, 100Base-TX (processor unit - transceiver unit)
USB 3 ports, USB2.0 (type-A)
CIF 3 ports, USB2.0 (type-A)
External KP control 1 port
NMEA0183 data sentences 1 port
 Input: GGA, GLL, GNS, MTW, VHW, VTG, ZDA
 Output: DBS, DBT, DPT, MTW, TLL
Output proprietary sentences PFEC: SDafl, SDbtm, SDflg, SDmrk, pidat

4. POWER SUPPLY

Transceiver unit 24 VDC, 1.6 A
Processor unit 24 VDC, 2.5 A
Rectifier (PR-62, option) 100/110/220/230 VAC, 1 phase, 50/60 Hz

5. ENVIRONMENTAL CONDITIONS

Ambient temperature Transceiver unit: -15°C to +55°C (storage: -30°C to +70°C)
 Processor/Trackball control unit: -15°C to +55°C
Relative humidity Processor/Transceiver unit: IP22
 Trackball control unit: IP22 (IPX0:USB cover opened)
Degree of protection 95 % or less at +40°C
Vibration IEC60945 Ed.4

EQUIPMENT LIST

Standard

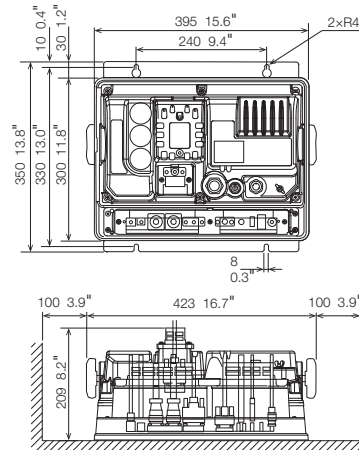
1. Processor unit FCV-2101
2. Trackball control unit TCU-001 with 5 m cable
3. Transceiver unit FCV-2102
4. Transducer FCV-2103 with 30 m cable
5. Spare parts, Installation materials

Option

Rectifier PR-62, DVI-D/D S-LINK Cable, Ethernet HUB-101, LAN Cable, USB Device Server UDS-001, Flush mount kit for trackball control unit OP14-70, Kingston, Installation materials

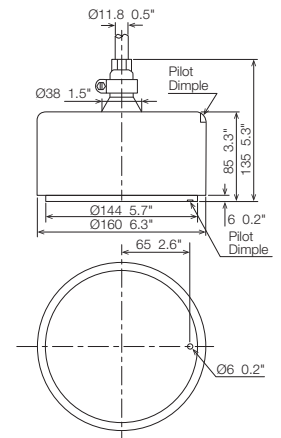
PROCESSOR UNIT

FCV-2101
8.0 kg 17.6 lb



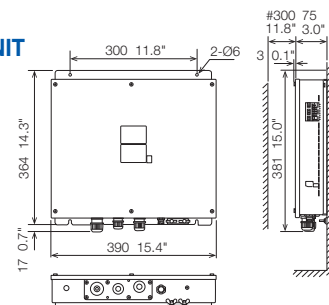
TRANSDUCER

FCV-2103
7.0 kg 15.4 lb



TRANSCIEVER UNIT

FCV-2102
5.5 kg 12.1 lb

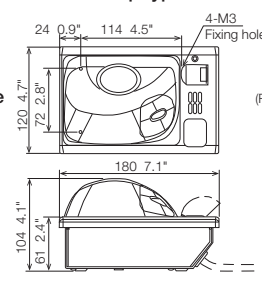


TRACKBALL CONTROL UNIT

TCU-001

Desktop type
1.2 kg 2.6 lb

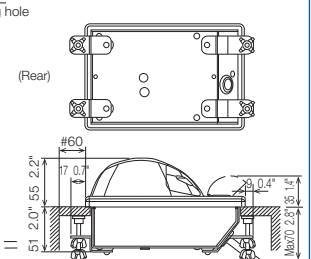
Desktop type



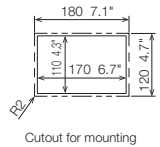
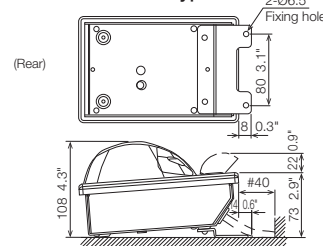
Built-in type
1.3 kg 2.9 lb

Flush mount type
1.3 kg 2.9 lb

Flush mount type
(Optional kit required)



Built-in type



Beware of similar products

All brand and product names are registered trademarks, trademarks or service marks of their respective holders.

SPECIFICATIONS SUBJECT TO CHANGE WITHOUT NOTICE

FURUNO ELECTRIC CO., LTD.
 Japan | www.furuno.com

FURUNO U.S.A., INC.
 U.S.A. | www.furunousa.com

FURUNO PANAMA S.A.
 Republic of Panama | www.furuno.com.pa

FURUNO (UK) LIMITED
 U.K. | www.furuno.co.uk

FURUNO NORGE A/S
 Norway | www.furuno.no

FURUNO DANMARK A/S
 Denmark | www.furuno.dk

FURUNO SVERIGE AB
 Sweden | www.furuno.se

FURUNO FINLAND OY
 Finland | www.furuno.fi

FURUNO POLSKA Sp. z o.o.
 Poland | www.furuno.pl

FURUNO DEUTSCHLAND GmbH
 Germany | www.furuno.de

FURUNO FRANCE S.A.S.
 France | www.furuno.fr

FURUNO ESPAÑA S.A.
 Spain | www.furuno.es

FURUNO ITALIA S.R.L.
 Italy | www.furuno.it

FURUNO HELLAS S.A.
 Greece | www.furuno.gr

FURUNO (CYPRUS) LTD
 Cyprus | www.furuno.com.cy

FURUNO SHANGHAI CO., LTD.
 China | www.furuno.com/cn

FURUNO CHINA CO., LTD.
 Hong Kong | www.furuno.com/cn

FURUNO KOREA CO., LTD
 Korea

FURUNO SINGAPORE
 Singapore | www.furuno.sg

PT FURUNO ELECTRIC INDONESIA
 Indonesia | www.furuno.id

FURUNO ELECTRIC (MALAYSIA) SND. BHD.
 Malaysia | www.furuno.my

C-2211LB

Catalogue No. CA00001708