

# Intellian® i4

**Most Popular Size Marine  
Satellite TV Antenna System**

**Intellian® i4** With the most popular size for all types of boats, Intellian i4 provides the higher performance to stay locked-on and connect the boaters to the HD satellite TV entertainment, while vessel is cruising in rough sea conditions. The i4's stylish and polished dome design makes it just perfect fit for boats over 50 feet.

- *Standard Size for US nationwide Coverage*
- *Powerful Performance with Competitive Value*
- *User-friendly & Easy to Install*
- *Seamless Viewing (Automatic Satellite Switch) of All DirecTV's Ku-band Channels. Available with MIM (Multi-satellite Interface Module) – US Only*

For more information, visit [www.intelliantech.com](http://www.intelliantech.com)



#### Popular Size with Higher Performance

18inch dish diameter with national coverage for US, Europe and the regional service around the global.

#### Faster Signal Acquisition

Intellian's exclusive Wide Range Search (WRS) algorithm allows antenna to search, find and lock on to a signal with incredible speed and accuracy.

#### A Firm Hold on the Signal

Dynamic Beam Tilting (DBT) uses a high performance, constantly adjusting sub-reflector which allows the antenna to remain relatively still, eliminating the constant whine of stepper motors while providing clear reception while the boat is in motion.

#### Simple & Easy Installation

With just a single cable to connect the antenna and the ACU, Intellian i4 systems are quick and easy to install. Our advanced ACU is designed to require a minimum of set-up so you can begin to enjoy TV programs aboard your boat in no time.

#### Tune in Your Favorite HDTV Channels

Intellian i4 will provide reception of HD channels on the Ku-band. The HD module is actually built-in to the Antenna Control Unit of the Intellian i4 for seamless integration and easy installation.

#### Built-in GPS

Built-in high performance GPS system, provided as default option, allows i4 to have higher accuracy and easy operation wherever the vessel sails.

#### User-friendly Operation

Antenna Control Unit (ACU), which is supplied as a default package, gives you the user-friendly operation for various function



# Intellian® i4

## Most Popular Size Marine Satellite TV Antenna System

### Key Features

#### Fully Automated System

Automatic satellite search and identification  
2-axis step motor for manipulating the pedestal

#### Enhanced Antenna

High efficiency parabolic antenna  
RHCP/LHCP, Vertical/ Horizontal polarization

#### Most Popular Size

18inch antenna dish diameter  
Very light Antenna weight less than 26 pounds

#### Fastest Search Algorithm

Wide Range Search(WRS) algorithm  
Statistical search algorithm

#### Superior Dynamic Tracking

Dynamic Beam Tilting (DBT) by rotating sub-reflector

#### DVB Signal Identification

High speed identification applying DVB Decoder with CPLD  
QPSK Demodulator Lock for DSS Signal

#### New type Antenna Control Unit

Easy satellite information change and update  
Easy antenna status check and automatic diagnosis  
Easy antenna control using PC interface with USB cable

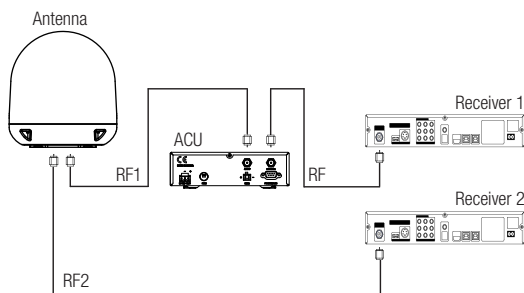
#### Built-in GPS System

Embedded GPS, which allows for the system to upload GPS data automatically into the system

### Technical Specifications

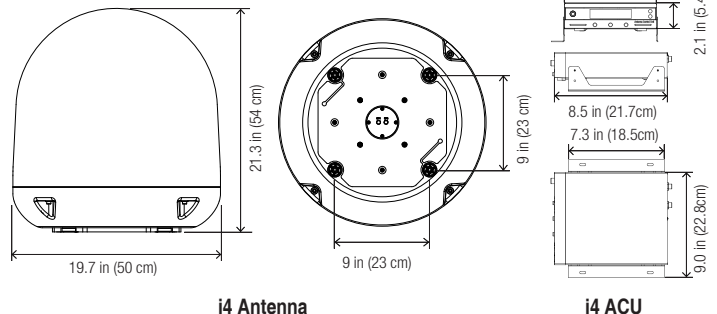
Part #	Specifications
B2-403S	Intellian i4 Satellite TV Antenna System (US)
B2-401Q	Intellian i4 Satellite TV Antenna System (Europe)
Physical	
Radome Height	21.2 in ( 54cm )
Radome Diameter	19.7 in ( 50cm )
Antenna Dish Diameter	17.7 in ( 45cm )
Weight	25.5 lbs ( 11.6kg )
Environmental	
Operating Temp. Range	5°F ~ 131°F ( -15°C ~ 55°C )
Storage Temp. Range	-13°F ~ 158°F ( -25°C ~ 70°C )
Water Ingress	IPX6
Approvals	CE / FCC
Warranty	2 -Year Parts and 1-Year Labor
Performance	
Reception Frequency	Ku-band (10.7~ 12.75GHz)
Polarization	RHCP/ LHCP, Vertical/ Horizontal
Minimum EIRP	49 dBW
Azimuth Range	680°
Elevation Range	0° to 90°
Ship's Motion	Roll +/-25°, Pitch +/-15°
Roll & Pitch Response Rate	50° / Second
Turn Rate	50° / Second
RF Output	Dual/ Quad Output
Antenna Control Unit	
Dimensions (WxDxH)	7.0 in x 8.5 in x 2.1 in ( 17.8cm x 21.7cm x 5.4cm )
Weight	2.6 lbs ( 1.2kg )
Display	2 Line 20 Character VFD Module
Control Key	5 Integrated Push Buttons
Power Input	DC 10.8 ~ 15.6V ( Typ. 30W, Max. 50W )
GPS Interface	Built-in (NMEA0183 GPS)

### System Diagram



### Antenna Dimensions

Unit : inch (cm)



**Intellian Technologies®**  
 Communicate Smarter  
 ISO 9001 Certified

**US Headquarters**  
 Americas Region

Intellian Technologies USA, Inc.  
 Parker Irvine Business Center  
 19 Hammond Suite 509  
 Irvine, CA 92618 USA  
 Tel +1-949-916-4411  
 Toll Free +1-888-201-9223  
 Fax +1-949-271-4183  
 Email info@intelliantech.com

**Headquarters**  
 EMEA & APAC Region

Intellian Technologies, Inc.  
 7th Floor, Dongik Building  
 Nonhyundong, Kangnam-gu  
 Seoul 135-010, South Korea  
 Tel +82-2-515-4923  
 Fax +82-2-515-4903  
 Email info@intelliantech.com

For more info, visit [intelliantech.com](http://intelliantech.com)