

**FURUNO**

# FISH SIZE INDICATOR

Model

# *FCV-2100*

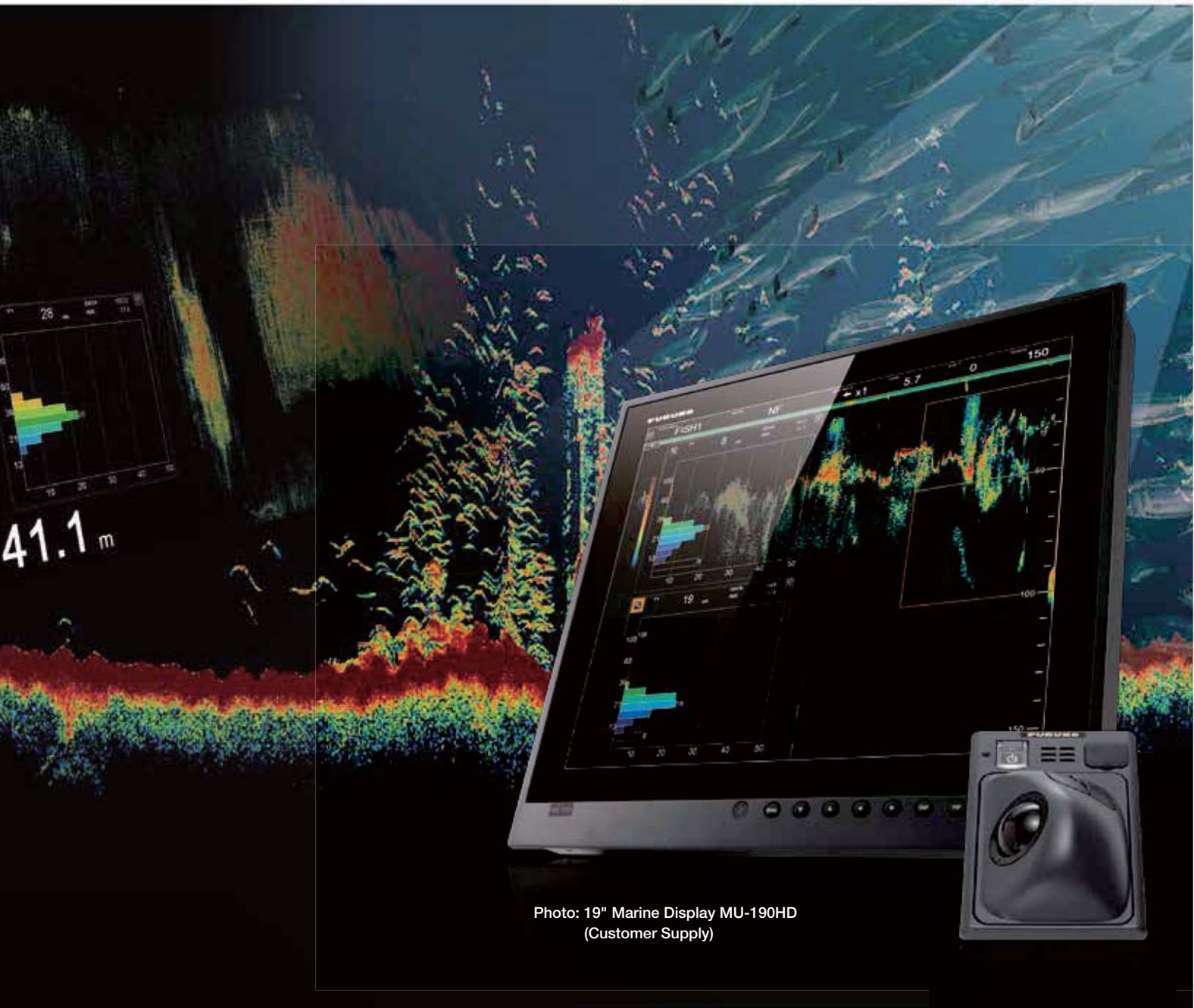


Photo: 19" Marine Display MU-190HD  
(Customer Supply)





By combining Split Beam technology with FURUNO's TruEcho CHIRP™, we have simultaneously improved fish size measurement accuracy and achieved higher-resolution target images. This makes it easier to discern fish outlines in order to detect fish size in densely packed shoals within the mid-surface layer zone, or to discriminate single fish near the seabed.

#### FISH DISTRIBUTION

The fish distribution display shows the targeted fish's position and movement. Fish echoes from the latest three scans are displayed, color of circle indicates strength of individual fish echo, which helps to track schools.



Vertical target graph

Horizontal target graph

Photo: 19" Marine Display MU-190HD  
(Customer Supply)

## FISH SIZE INDICATOR

Model

# FCV-2100



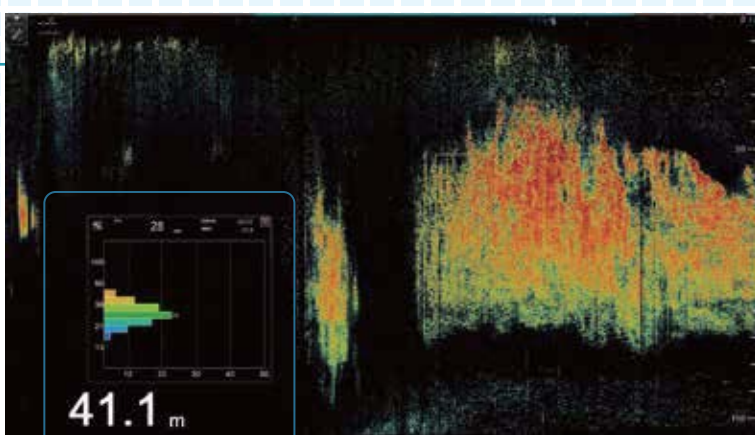
# *Experience a higher level of accuracy and clearer target images to make the most of your time fishing!*

## **- Combining Split Beam and TruEcho CHIRP™ -**

### **Display remarkably accurate fish size measurements in easy-to-understand graph form\***

The FCV-2100 measures the size and distribution of fish in the selected school, and displays this information in a graph that can be understood at a glance. TruEcho CHIRP™ technology has improved the accuracy and reliability of fish size measurements and graphs.

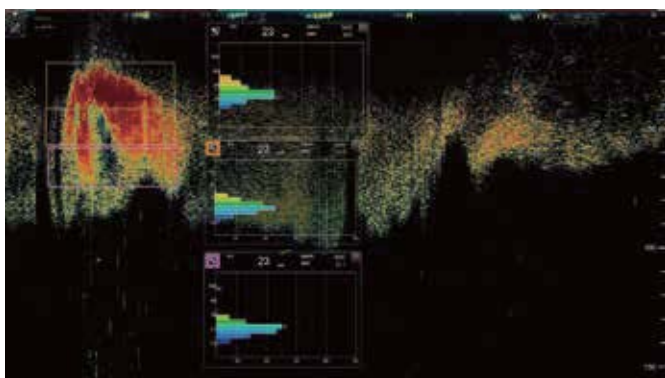
\* Fish length is a reference value calculated from reflection intensity.



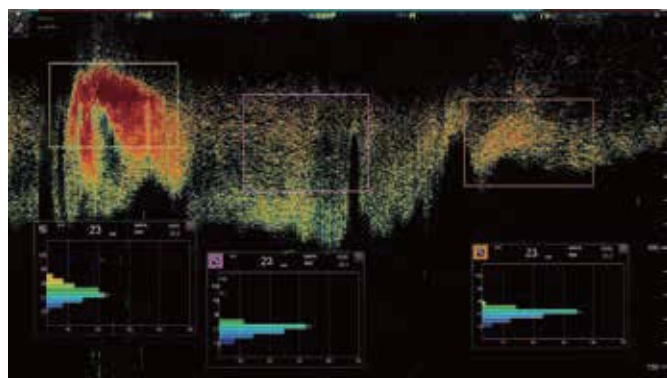
Fish Size graph

### **Simultaneously displays fish size measurements in three locations**

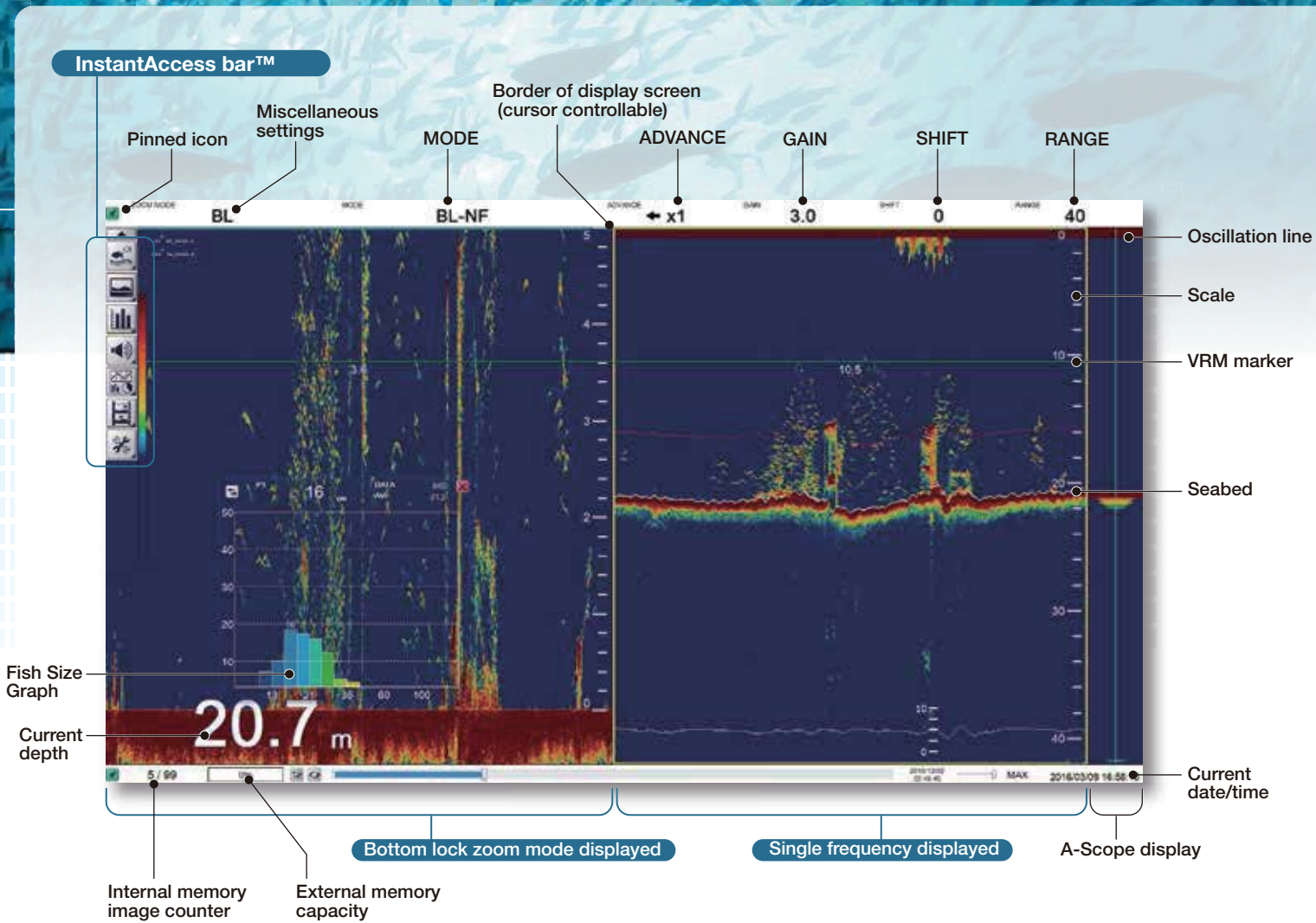
The FCV-2100 can measure and display fish sizes in three locations at the same time. This allows you to compare and analyze fish size and school composition, which makes for more efficient fishing, such as aiming for fish of a particular size.



Example of fish size graphs showing sardines at different school densities



Example of fish size graphs of sardines over time



## Simple operation with trackball and InstantAccess bar™

The FCV-2100 can be operated easily and quickly with its trackball. The screen header also contains Range, Shift, Sensitivity, Image Feed, and Display Mode menus that can be immediately accessed when required. Other functions can also be accessed immediately by setting them in the InstantAccess bar™ as desired\*.

\* Up to 10 icons can be set in the InstantAccess bar™



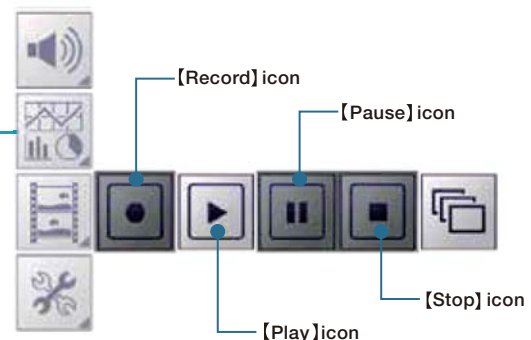
Trackball unit



## Still images and echo data can be recorded and played back

A maximum of 99 still images can be saved on the processor unit. The maximum number that can be saved externally depends on the capacity of the external recording medium\*. Echo data can also be saved to an external medium with a capacity of 500 GB or more\*.

\* Optional







## ■ Checking past images with the convenient scroll-back mode

By scrolling the screen back, you can review past images.

## ■ Makes your fishing operation more efficient

By identifying the approximate size of the targeted fish beforehand, the FCV-2100 enables selective fishing, making fishing operations more efficient.

## ■ Connecting external sensors provides various functional add-ons

### ■ Bottom discrimination function displays the seabed composition both graphically and in color.\*

\* Requires an externally connected network fish finder (DFFI-UHD) or designated transducer.

### ■ ACCU-FISH™ function gives the size of an individual fish at a glance\*

\* Requires an externally connected network fish finder (DFF3/DFFI-UHD) or an ACCU-FISH™ compatible transducer.

## ■ Can be connected to an external fish finder (DFF3/DFF1-UHD network fish finder\*)

Up to three search responses at different frequencies can be displayed on one screen. The response for each type of fish can be seen at a glance, which helps to identify species.

\* DFF3/DFF1-UHD network fish finders are sold separately. Only one can be connected.

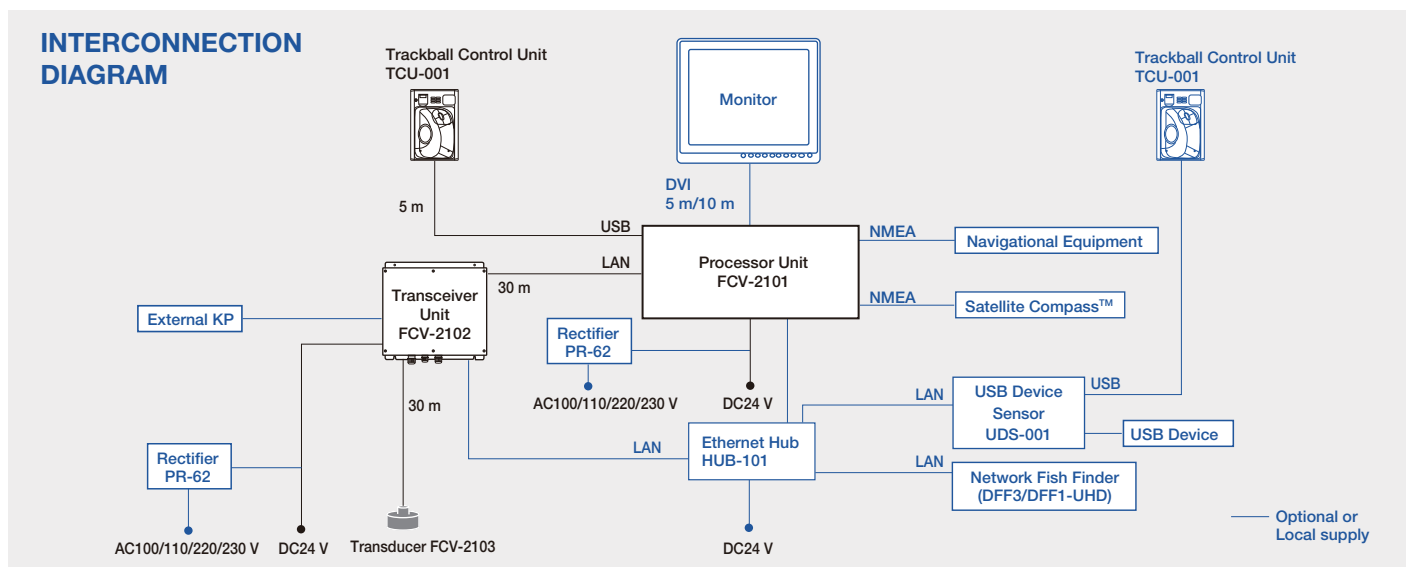
## ■ Easy to install compact transducer

The transducer is 16 cm in diameter and easy to install in the hull.

### ■ Stable searching with heaving correction function\*

The heaving (up and down motion of a ship) corrective function enables the shape of the seabed to be displayed stably even in rough sea.

\* Requires connection of a Satellite Compass™.



# FISH SIZE INDICATOR

Model **FCV-2100**

## SPECIFICATIONS

### 1. GENERAL

Transmitting frequency	100 kHz nominal
Output power	1 kW, FM transmission
Transmitting rate	800 pulse/min or less
Pulselength	0.04 ms

### 2. PROCESSOR UNIT

Color indication	64 colors (16 colors setting available)
Hue	8 steps (Standard, Hue1 to 6, customized)
Echo display mode	Single pictures, Zoom, External sounder display
Zoom display	Bottom-lock expansion, Bottom zoom, Marker zoom, Discrimination zoom
Fish size measurement	Histogram
Depth range	10 to 800 m
Range shift	800 m max.
Expansion range	5 to 200 m
Display advance speed	6 steps (Lines/TX: Freeze, 1/4, 1/2, 1/1, 2/1, 4/1)
Data recording	Echo pictures and raw data can be recorded (The raw data recording requires external memory)
Language	English, French, Japanese, Norwegian, Spanish

### 3. INTERFACE

Number of port	1 port
Main monitor	DVI-D, XGA (1024x768), SXGA (1280x1024), Full HD (1920x1080), UXGA (1600x1200), WUXGA (1920x1200)
Sub monitor	2 ports DVI: 1 port, RGB: 1 port (Vertical sync: 70 Hz), XGA only
NMEA	3 ports, NMEA0183 V1.5/2.0/3.0
LAN	1 port, Ethernet, 100Base-TX (processor unit - transceiver unit)
USB	3 ports, USB2.0 (type-A)
CIF	3 ports, USB2.0 (type-A)
External KP control	1 port
NMEA0183 data sentences	1 port Input: GGA, GLL, GNS, MTW, VHW, VTG, ZDA Output: DBS, DBT, DPT, MTW, TLL
Output proprietary sentences	PFEC: SDafl, SDbtm, SDflg, SDmrk, pidat

### 4. POWER SUPPLY

Transceiver unit	24 VDC, 1.6 A
Processor unit	24 VDC, 2.5 A
Rectifier (PR-62, option)	100/110/220/230 VAC, 1 phase, 50/60 Hz

### 5. ENVIRONMENTAL CONDITIONS

Ambient temperature	Transceiver unit: -15°C to +55°C (storage: -30°C to +70°C) Processor/Trackball control unit: -15°C to +55°C
Relative humidity	Processor/Transceiver unit: IP22 Trackball control unit: IP22 (IPX0:USB cover opened)
Degree of protection	95 % or less at +40°C
Vibration	IEC60945 Ed.4

## EQUIPMENT LIST

### Standard

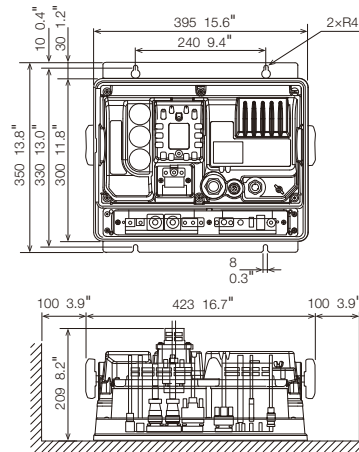
1. Processor unit FCV-2101
2. Trackball control unit TCU-001 with 5 m cable
3. Transceiver unit FCV-2102
4. Transducer FCV-2103 with 30 m cable
5. Spare parts, Installation materials

### Option

Rectifier PR-62, DVI-D/D S-LINK Cable, Ethernet HUB-101, LAN Cable, USB Device Server UDS-001, Flush mount kit for trackball control unit OP14-70, Kingston, Installation materials

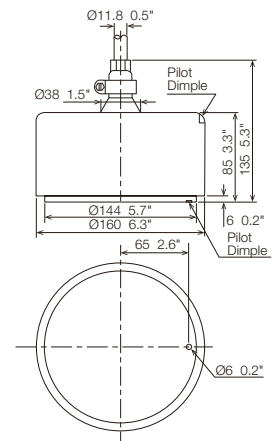
## PROCESSOR UNIT

FCV-2101  
8.0 kg 17.6 lb



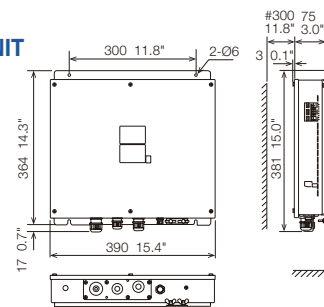
## TRANSDUCER

FCV-2103  
7.0 kg 15.4 lb



## TRANSCIEVER UNIT

FCV-2102  
5.5 kg 12.1 lb



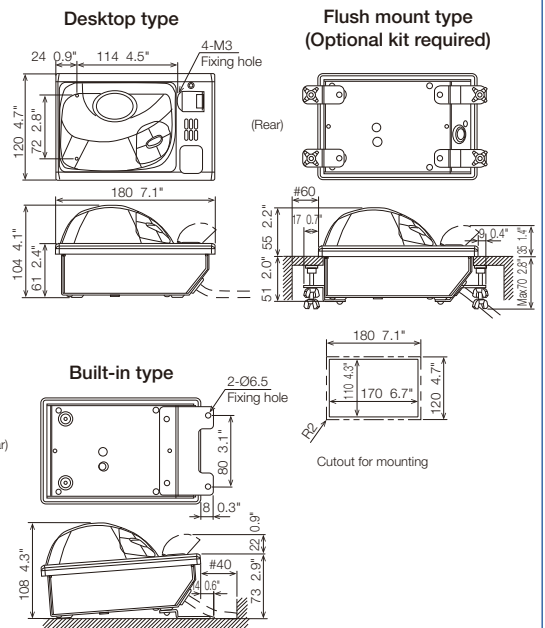
## TRACKBALL CONTROL UNIT

TCU-001

Desktop type  
1.2 kg 2.6 lb

Built-in type  
1.3 kg 2.9 lb

Flush mount type  
1.3 kg 2.9 lb



Beware of similar products

All brand and product names are registered trademarks, trademarks or service marks of their respective holders.

SPECIFICATIONS SUBJECT TO CHANGE WITHOUT NOTICE

**FURUNO ELECTRIC CO., LTD.**  
Nishinomiya, Hyogo, Japan  
www.furuno.com

**FURUNO U.S.A., INC.**  
Camas, Washington, U.S.A.  
www.furunousa.com

**FURUNO (UK) LIMITED**  
Havant, Hampshire, U.K.  
www.furuno.co.uk

**FURUNO FRANCE S.A.S.**  
Bordeaux-Mérignac, France  
www.furuno.fr

**FURUNO ITALIA S.R.L.**  
Gatteo Mare, Italy  
www.furuno.it

**FURUNO ESPAÑA S.A.**  
Madrid, Spain  
www.furuno.es

**FURUNO DANMARK A/S**  
Hvidovre, Denmark  
www.furuno.dk

**FURUNO NORGE A/S**  
Ålesund, Norway  
www.furuno.no

**FURUNO SVERIGE AB**  
Västra Frölunda, Sweden  
www.furuno.se

**FURUNO FINLAND OY**  
Espoo, Finland  
www.furuno.fi

**FURUNO POLSKA Sp. z o.o.**  
Gdynia, Poland  
www.furuno.pl

**FURUNO EURUS LLC**  
St. Petersburg, Russian Federation  
www.furuno.com.ru

**FURUNO SINGAPORE PTE LTD**  
Singapore  
www.rico.com.sg

**FURUNO DEUTSCHLAND GmbH**  
Rellingen, Germany  
www.furuno.de

**FURUNO HELLAS S.A.**  
Piraeus, Greece  
www.furuno.gr

**FURUNO (CYPRUS) LTD**  
Limassol, Cyprus  
www.furuno.com.cy

**FURUNO CHINA CO., LTD.**  
Hong Kong  
www.furuno.com/cn

**FURUNO SHANGHAI CO., LTD.**  
Shanghai, China  
www.furuno.com/cn

2-B-1701PDF  
Catalogue No. CA00001066