

FURUNO®

Economical - Paperless

NAVTEX RECEIVER

Model **NX-300**
(Dual frequency version)

- **Reliable, uninterrupted reception of Navtex messages**
- **Designed for small boats and fishing vessels**
- **"No consumables or paper required"**
- **Ultra clear 4.5" backlit silver bright LCD**
- **Compact, stylish display and antenna unit**
- **28,000-character memory capacity for message storage**
- **Memory backup with a long life lithium battery**
- **Low power consumption**
- **NAV Data Display mode ***
* NAV sensor required
- **Multi-language menu**



The NX-300 receives NAVTEX (Navigational Telex) messages and verifies the ID of received messages. It features two narrowband receivers, one tuned to the 518 kHz international Navtex frequency and the other to the 490 kHz domestic or local country frequency. Selection is made by a Frequency Select switch on the front panel.

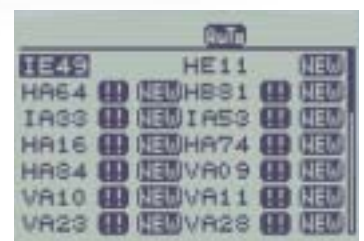
NAVTEX is a worldwide coastal English language telex broadcast system. The broadcast stations transmit Navigational Warnings, Meteorological Warnings, Search and Rescue (SAR) information and other data for ships sailing within their service range. The service range is 200-400 nautical miles depending on the terrain and station transmit power; messages are broadcasted every 4 hours. The Navtex service on 490 kHz is available in the UK, France, etc., using their own languages. The NX-300 features multi-language processing.

Every incoming message is identified and new messages are read on the high-contrast 4.5" silver bright LCD

Nav Data



Message List



display; no paper is required. However, the message can be printed out via a PC interface. The broadcast station can be selected automatically according to own ship position when the NX-300 is connected with a GPS/DGPS navigator outputting position in NMEA 0183 format.

The NX-300 consists of a compact, waterproof display and an antenna unit. The waterproof display unit can be installed in the flybridge or at any convenient place on the vessel.



The future today with FURUNO's electronics technology

FURUNO ELECTRIC CO., LTD.

9-52 Ashihara-cho, Nishinomiya City, Japan Phone: +81 (0)798 65 2111
Fax: +81 (0)798 65 4200, 66-4622

Catalogue No. FX-616d

TRADE MARK REGISTERED
MARCA REGISTRADA

SPECIFICATIONS OF NX-300

- 1. Receiver Frequencies** 518 and 490 kHz selectable on front panel key
- 2. Mode of Reception** F1B
- 3. Sensitivity** 2 μ V e.m.f. (50 ohm), 4 % error rate
- 4. Message Category**
 A: Navigational warning, B: Meteorological warning,
 C: Ice report, D: Search and rescue information/piracy and armed robbery, E: Meteorological forecast, F: Pilot message,
 G: Decca message, H: Loran-C message, I: Omega message,
 J: Differential omega message, K: Other electronic navigational aid and system message, L: Navigational warning (additional),
 M to Y: Reserve - presently not used, Z: QRU (no message on hand)
- 1. Display** 4.5" (95 x 60 mm) Silver bright LCD, 120 x 64 pixels
- 2. Display Modes** Message Selection Mode, NAV Data Mode, Message Display Mode
- 3. Message Storage** 28,000 Characters
- 4. Languages** Menu in English, Spanish, German, French, Italian, Danish, Dutch, Portuguese

ENVIRONMENT (IEC 60945 test method)

Temperature

- Display Unit: -15°C to +55°C
 Antenna Unit: -25°C to +70°C

Waterproofing

- Display Unit: IPX5 (IEC 60529), CFR-46 (USCG)
 Antenna Unit: IPX6 (IEC 60529)

POWER SUPPLY

12 - 24 VDC, 1.7 W max

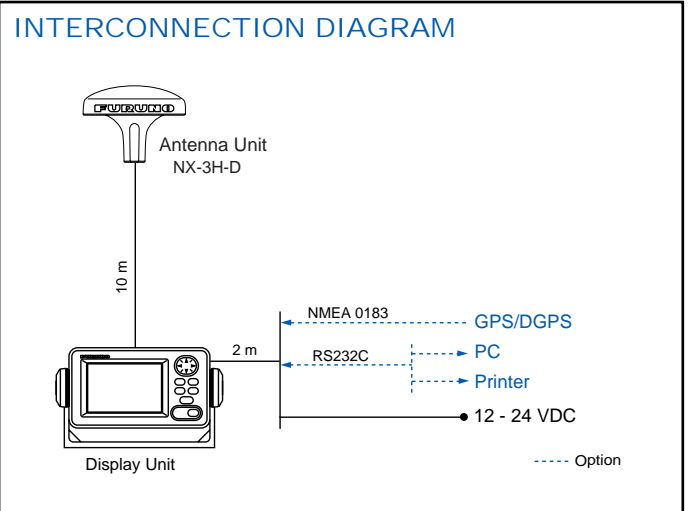
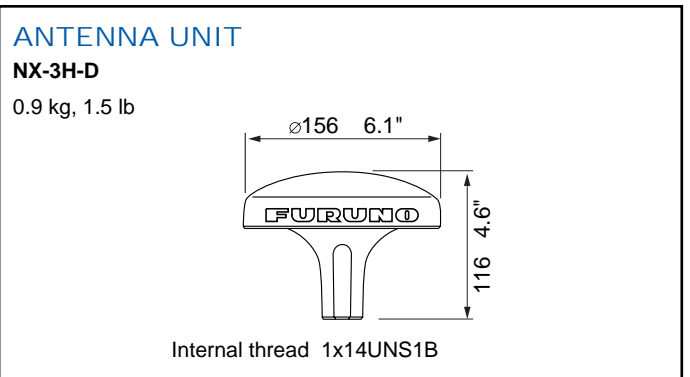
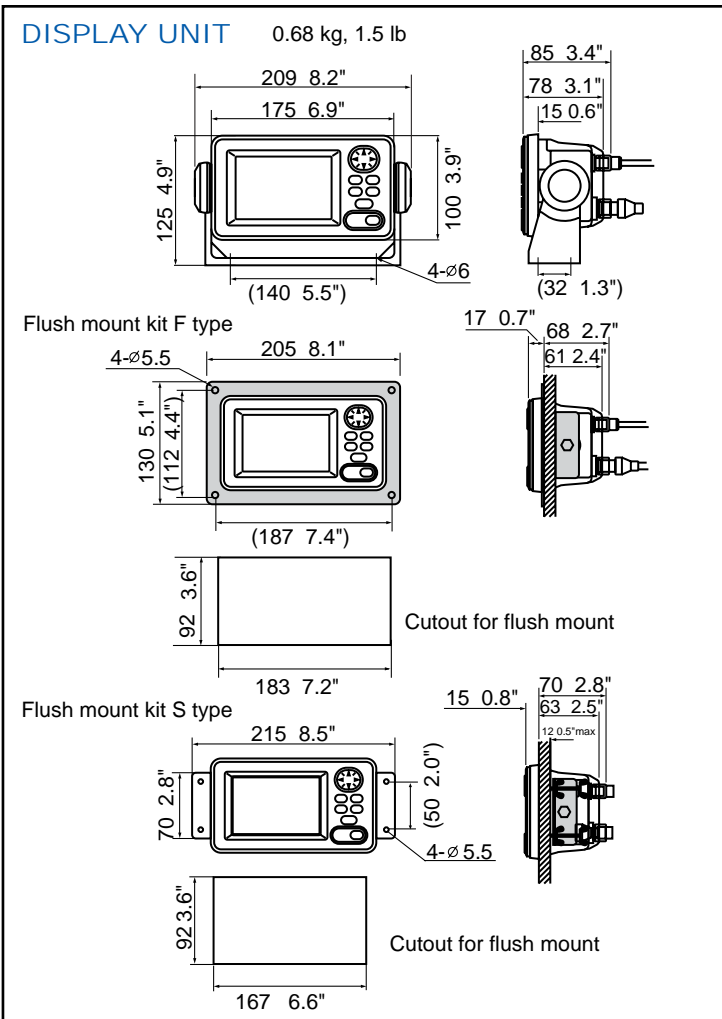
EQUIPMENT LIST

Standard

- | | |
|---|--------|
| 1. Display Unit NX-300-D | 1 unit |
| 2. Antenna Unit NX-3H-D with 10 m cable | 1 unit |
| 3. Installation Materials and spare parts | 1 unit |

Option

1. Flush Mount Kit
 OP20-29 (F type) or OP20-17 (S type)
2. Antenna Base
 NO.13-QA330, NO.13QA310, NO.13-RC5160 or CP-20-01111



SPECIFICATIONS SUBJECT TO CHANGE WITHOUT NOTICE

FURUNO U.S.A., INC.
 Camas, Washington, U.S.A.
 Phone: +1 360-834-9300 Telefax: +1 360-834-9400

FURUNO (UK) LIMITED
 Denmead, Hampshire, U.K.
 Phone: +44 2392-230303 Telefax: +44 2392-230101

FURUNO FRANCE S.A.
 Bordeaux-Mérignac, France
 Phone: +33 5 56 13 48 00 Telefax: +33 5 56 13 48 01

FURUNO ESPANA S.A.
 Madrid, Spain
 Phone: +34 91-725-90-88 Telefax: +34 91-725-98-97

FURUNO DANMARK AS
 Hvidovre, Denmark
 Phone: +45 36 77 45 00 Telefax: +45 36 77 45 01

FURUNO NORGE A/S
 Ålesund, Norway
 Phone: +47 70 102950 Telefax: +47 70 127021

FURUNO SVERIGE AB
 Västra Frölunda, Sweden
 Phone: +46 31-7098940 Telefax: +46 31-497093

FURUNO FINLAND OY
 Espoo, Finland
 Phone: +358 9 4355 670 Telefax: +358 9 4355 6710

04055Y Printed in Japan

